

INDIVIDUALLY HUMIDIFIED CLOSED PLASTIC CAGES FOR REARING ANOPHELINE MOSQUITOES¹

NELDA E. ALGER

Department of Zoology University of Illinois, Urbana, Illinois

The high humidity required for the successful rearing of anopheline mosquitoes usually requires installation of expensive humidifiers. This problem was avoided by designing a plastic (plexi-glass) cage (Figs. 1, 2, 3) to maintain high cage humidity (80%) in a room with only temperature controls.

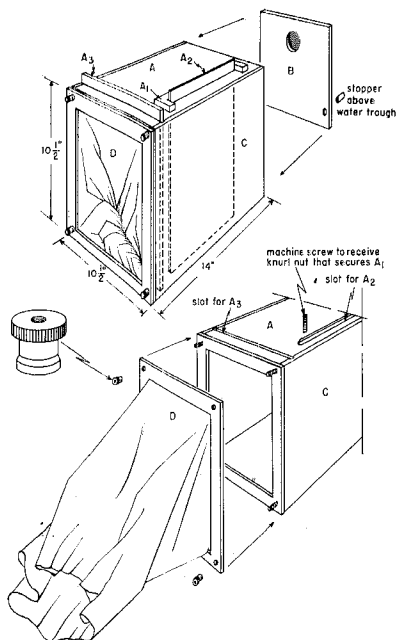


FIG. 1.—Plexiglass mosquito cage.

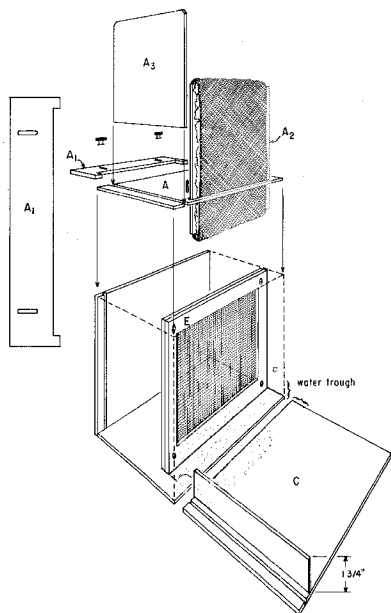


FIG. 2.—Detail drawings of plexiglass mosquito cage.

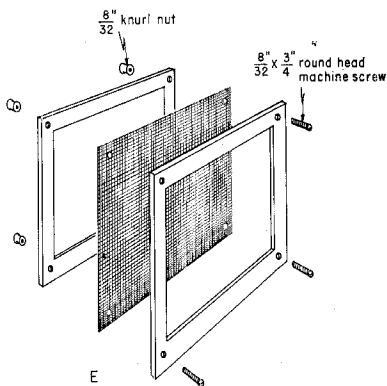


FIG. 3.—Detail drawings of the screen protecting the wick and the dental roll for glucose feeding.



Cellucotton is held in place on a plastic strip (Fig. 1, A₂) with cheese cloth and rubber bands. This acts as a wick and is inserted in the A₂

¹ Supported in part by a contract with the Agency for International Development of the United States State Department.

slot and pushed toward the cage bottom into the water trough (Fig. 2). Plastic piece A_1 (Fig. 1) is slipped against the top of the wick to close the opening. The water trough can be filled from the outside of the cage (Fig. 1B) through a hole which can be stoppered with a rubber stopper between fillings.

The plastic screen E (Fig. 2, 3) prevents the mosquitoes from laying their eggs on the moist wick. The slide A_2 (Fig. 2) is slipped into place or pulled out to manipulate materials inside the cage. The sleeve D (Fig. 1) can be rolled and tucked into the space between the sleeve holder and the slide A_2 (Fig. 1). The back of the cage B (Fig. 1) has a screened opening which can be partially covered to increase humidity inside the cage. The cage (14" x 10½") is large enough to slip guinea pigs in for feeding.

This cage also helps to combat the problem of cockroaches. Since the high humidity is confined to the cages, roaches are easier to control. The cages can be easily disassembled and sterilized after each use and are more difficult for roaches to enter.

NEW RECORDS OF PARASITES OF CERATOPOGONIDAE¹

HAROLD C. CHAPMAN, JAMES J. PETERSEN,
DONALD B. WOODARD, AND TRUMAN B. CLARK

Entomology Research Division, Agr. Res. Serv.,
U.S.D.A., Lake Charles, Louisiana 70601

We have examined ceratopogonid larvae from a number of habitats as an adjunct to a continuous survey of mosquito parasites in southwestern Louisiana. These examinations have yielded several parasites not heretofore reported from larvae of ceratopogonids. All identifications of ceratopogonids were kindly made by Dr. Willis W. Wirth of the U. S. National Museum.

A limited number of such internal parasites of larvae of Ceratopogonidae are recorded and are summarized by Jenkins (1964), but few of these records are from North America.

PROTOZOA (NOSEMATIDAE). Wcisler (1957) described *Nosema sphaeromiadis* from larvae of *Sphaeromias* sp. in Czechoslovakia; this is the only nosematid recorded from ceratopogonids.

We have collected larvae of at least two species of *Culicoides* that are hosts of *Plistophora* spp. One larva collected from a shaded woodland pool near Camp Edgewood, Beauregard Parish, VII-8-66, was almost transparent except for some abdominal segments that had become opaque white due to infection (Fig. 1). Mature spores of this *Plistophora* sp. measured $4.5 \pm 0.25 \times 2.75 \pm 0.20 \mu$. Unsuccessful attempts failed to produce additional specimens.



FIG. 1.—Larva of *Culicoides* sp. from a woodland pond with infection of *Plistophora* sp. in several abdominal segments.

Many *Culicoides* larvae containing a different species of *Plistophora* were collected during the spring of 1967 from a treehole near Fort Polk in Allen Parish and from a treehole near Lake Charles in Calcasieu Parish. The host, at least in the Lake Charles treehole, was probably *Culicoides nanus* Root and Hoffman. Larvae of this treehole-inhabiting species are white; hence, patent infections of the microsporidia which normally turn specimens opaque white were difficult to detect. However, in uninfected specimens of *C. nanus*, the area just behind the head and the last several abdominal segments were usually somewhat clear; the entire body of infected specimens was a milky white (Fig. 2). Pansporoblasts were numerous. The mature spore was often slightly constricted in the middle and measured $2.99 \pm 0.19 \times 1.03 \pm 0.05 \mu$. All patently infected specimens succumbed just before pupation.

Culicoides IRIDESCENT VIRUS (CuIV). Although iridescent viruses have only recently been reported from mosquitoes (Clark *et al.*, 1965); Chapman *et al.*, 1966), none has previously been reported from ceratopogonids. Between February and April 1967, we collected over 100 larvae of a *Culicoides* sp. with a blue-purple iridescence from a treehole in West Bay, Allen Parish. Electron micrographs showed these larvae to be infected with a cytoplasmic noninclusion virus simi-

¹ In cooperation with McNeese State College, Lake Charles, Louisiana.